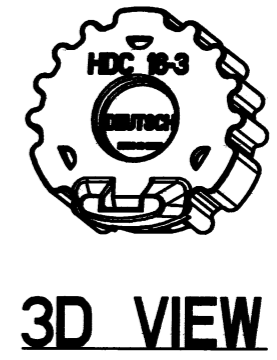
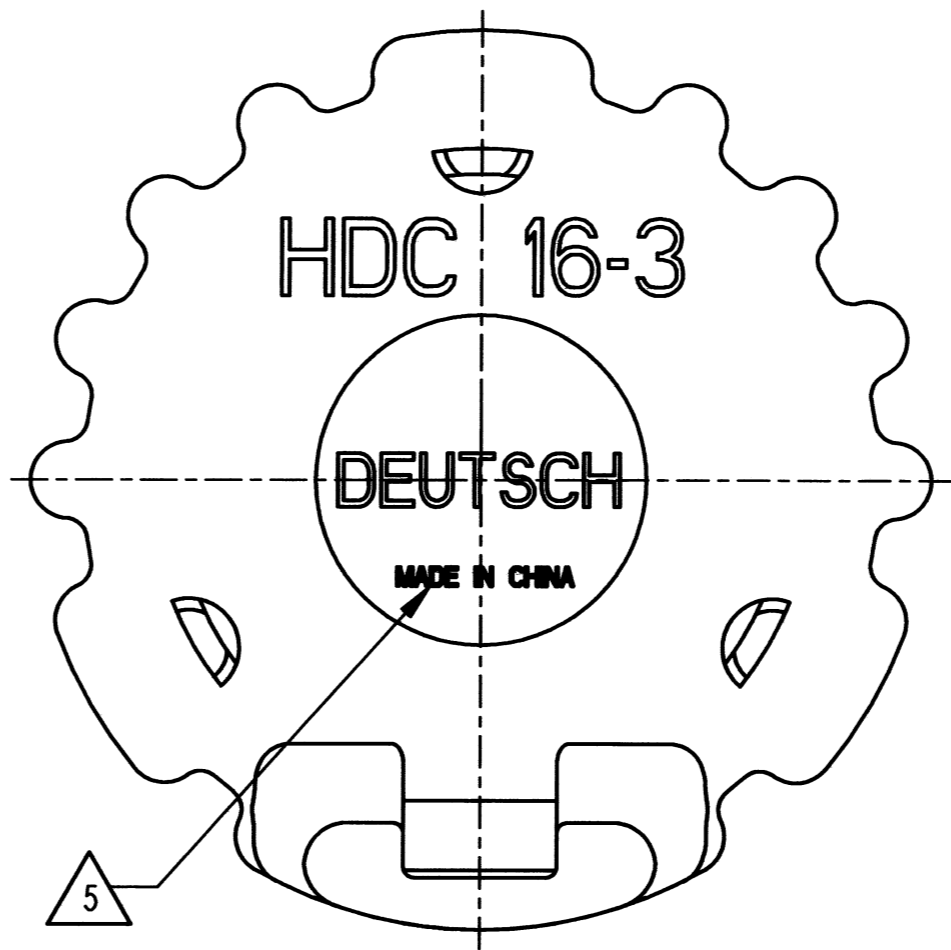
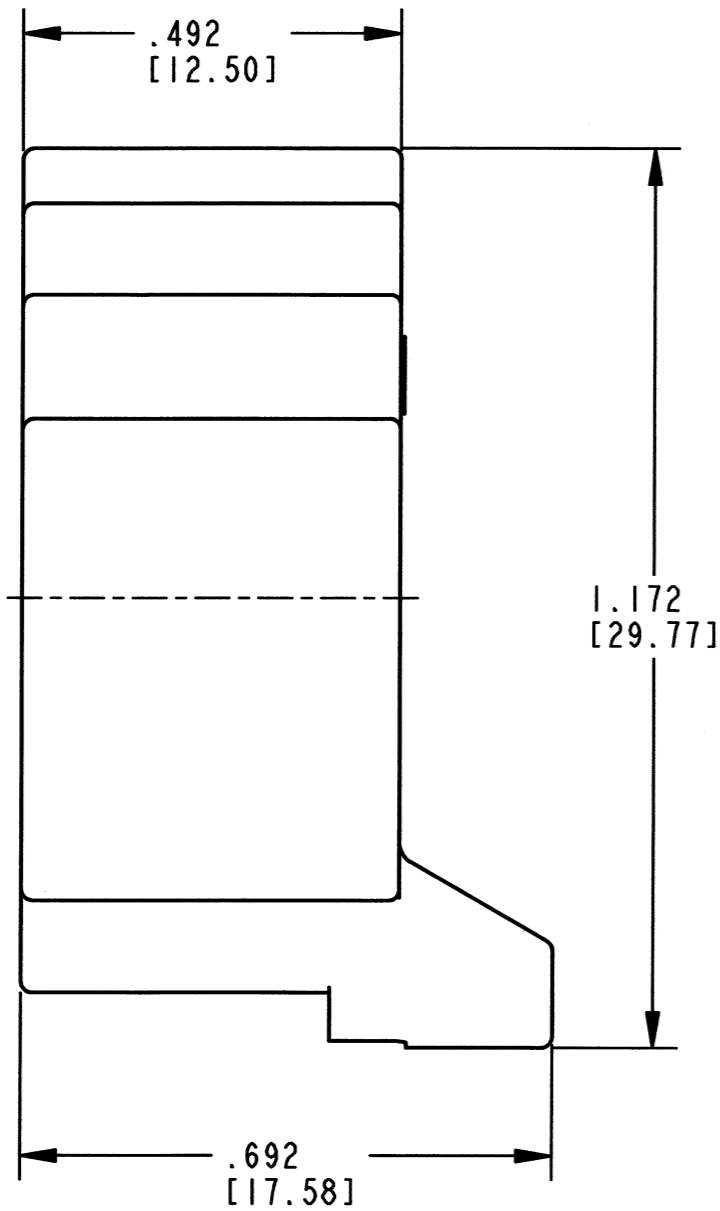


REV
C **HDC16-3**

REVISIONS			
SYM	DESCRIPTION	DATE	APPROVED
A	REVISED/REDRAWN PER E.O. A13795	05/04/92	J.A.
B	REVISED/REDRAWN PER E.O. P18248	1/28/05	R.D.R.
C	REVISED PER E.O. P20888	7-7-11	RDR



5. COUNTRY OF ORIGIN IF OTHER THAN USA.
EXAMPLE: MADE IN CHINA

- 4. COLOR: GRAY
- 3. MATERIAL: CAP: PLASTIC; SEAL: RUBBER
- 2. DIMENSION TOLERANCE ±.025 [0.63].

NOTES: 1. ALL DIMENSIONS ARE IN INCHES [METRIC].

SIGNATURE & DATE	
DR	X. SANCHEZ 18 JAN 05
CHK	[Signature] 7/6/11
PE	[Signature] 6/2/11
APPD	[Signature] 6/2/11
SCALE	NONE WT

PROTECTIVE COVER
FOR SIZE 3
RECEPTACLE
HD10 SERIES

ENVELOPE

EP	MATL. CODE
3850 INDUSTRIAL AVE. HEMET, CA 92545	
DEUTSCH INDUSTRIAL	
B	HDC16-3
DWG SIZE	CODE 11139 SHEET OF